

**EVENT  
ELECTRONICS  
ASP6 & ASP8 SERIES  
Service Manual**

**Event Electronics  
P.O. Box 4189  
Santa Barbara, California  
93140 USA**

8 7 6 5 4 3 2 1

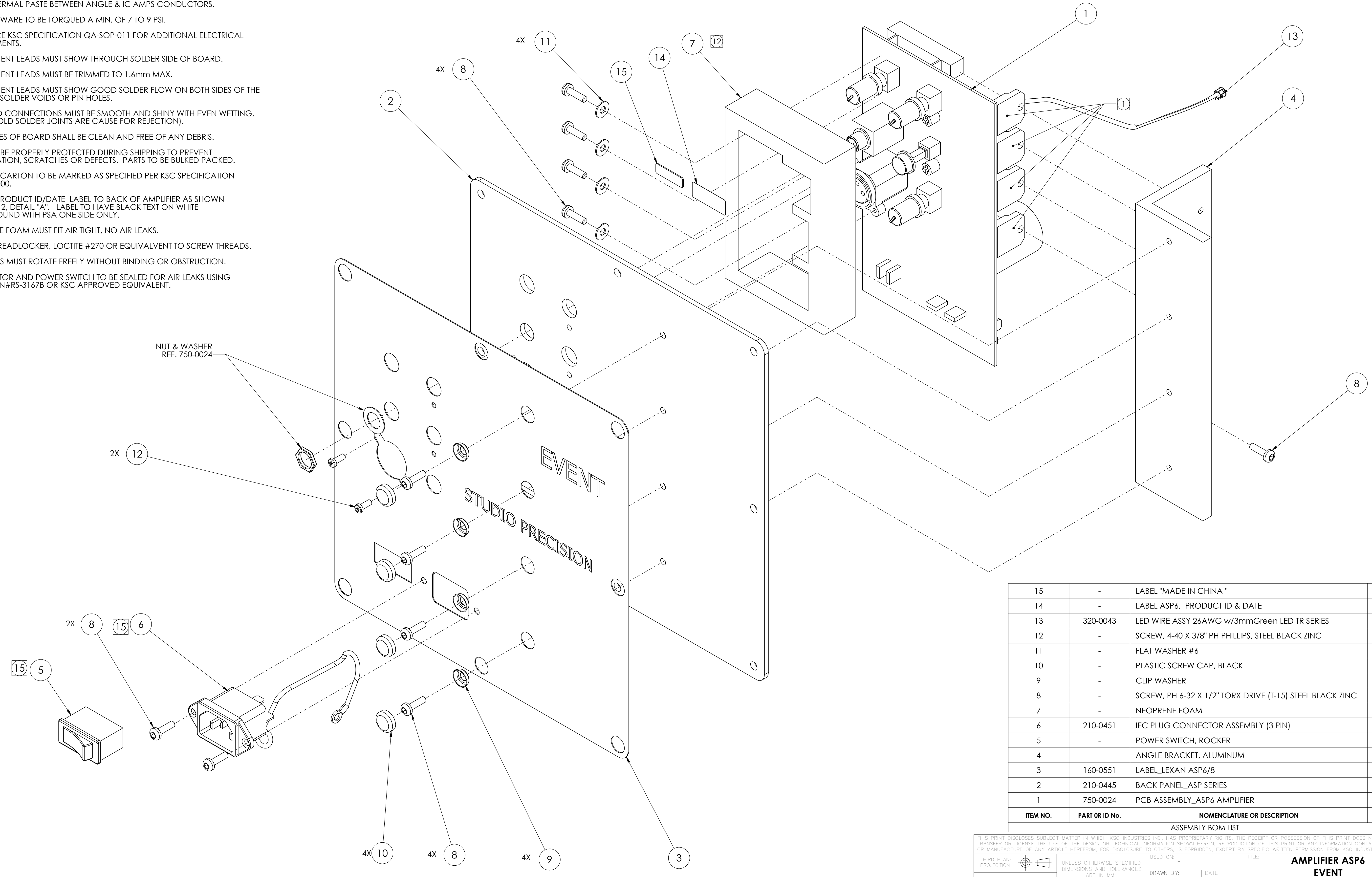
NOTES: UNLESS OTHERWISE SPECIFIED

ZONE		ECO No.	REV.	DESCRIPTION	REVISIONS	REVISED	DATE	APPROVED	DATE
		E05-0106	A	RELEASE FOR PRODUCTION		G. ESCOBAR	11/01/2005		

1. APPLY THERMAL PASTE BETWEEN ANGLE & IC AMPS CONDUCTORS.
2. ALL HARDWARE TO BE TORQUED A MIN. OF 7 TO 9 PSI.
3. REFERENCE KSC SPECIFICATION QA-SOP-011 FOR ADDITIONAL ELECTRICAL REQUIREMENTS.
4. COMPONENT LEADS MUST SHOW THROUGH SOLDER SIDE OF BOARD.
5. COMPONENT LEADS MUST BE TRIMMED TO 1.6mm MAX.
6. COMPONENT LEADS MUST SHOW GOOD SOLDER FLOW ON BOTH SIDES OF THE PCB. NO SOLDER VOIDS OR PIN HOLES.
7. SOLDERED CONNECTIONS MUST BE SMOOTH AND SHINY WITH EVEN WETTING. (NOTE: COLD SOLDER JOINTS ARE CAUSE FOR REJECTION).
8. BOTH SIDES OF BOARD SHALL BE CLEAN AND FREE OF ANY DEBRIS.
9. PARTS TO BE PROPERLY PROTECTED DURING SHIPPING TO PREVENT DEFORMATION, SCRATCHES OR DEFECTS. PARTS TO BE BULKED PACKED.
10. SHIPPING CARTON TO BE MARKED AS SPECIFIED PER KSC SPECIFICATION No 956-4000.
11. ATTACH PRODUCT ID/DATE LABEL TO BACK OF AMPLIFIER AS SHOWN ON SHEET 2, DETAIL "A". LABEL TO HAVE BLACK TEXT ON WHITE BACKGROUND WITH PSA ONE SIDE ONLY.
12. NEOPRENE FOAM MUST FIT AIR TIGHT, NO AIR LEAKS.
13. APPLY THREADLOCKER, LOCTITE #270 OR EQUIVALENT TO SCREW THREADS.
14. ALL KNOBS MUST ROTATE FREELY WITHOUT BINDING OR OBSTRUCTION.
15. CONNECTOR AND POWER SWITCH TO BE SEALED FOR AIR LEAKS USING CP MOYEN#RS-3167B OR KSC APPROVED EQUIVALENT.

D  
C  
B  
A

D  
C  
B  
A



NUT & WASHER  
REF. 750-0024

ITEM NO.	PART OR ID No.	NOMENCLATURE OR DESCRIPTION	QTY
15	-	LABEL "MADE IN CHINA "	1
14	-	LABEL ASP6, PRODUCT ID & DATE	1
13	320-0043	LED WIRE ASSY 26AWG w/3mmGreen LED TR SERIES	1
12	-	SCREW, 4-40 X 3/8" PH PHILLIPS, STEEL BLACK ZINC	2
11	-	FLAT WASHER #6	4
10	-	PLASTIC SCREW CAP, BLACK	4
9	-	CLIP WASHER	4
8	-	SCREW, PH 6-32 X 1/2" TORX DRIVE (T-15) STEEL BLACK ZINC	11
7	-	NEOPRENE FOAM	1
6	210-0451	IEC PLUG CONNECTOR ASSEMBLY (3 PIN)	1
5	-	POWER SWITCH, ROCKER	1
4	-	ANGLE BRACKET, ALUMINUM	1
3	160-0551	LABEL_LEXAN ASP6/8	1
2	210-0445	BACK PANEL_ASP SERIES	1
1	750-0024	PCB ASSEMBLY_ASP6 AMPLIFIER	1

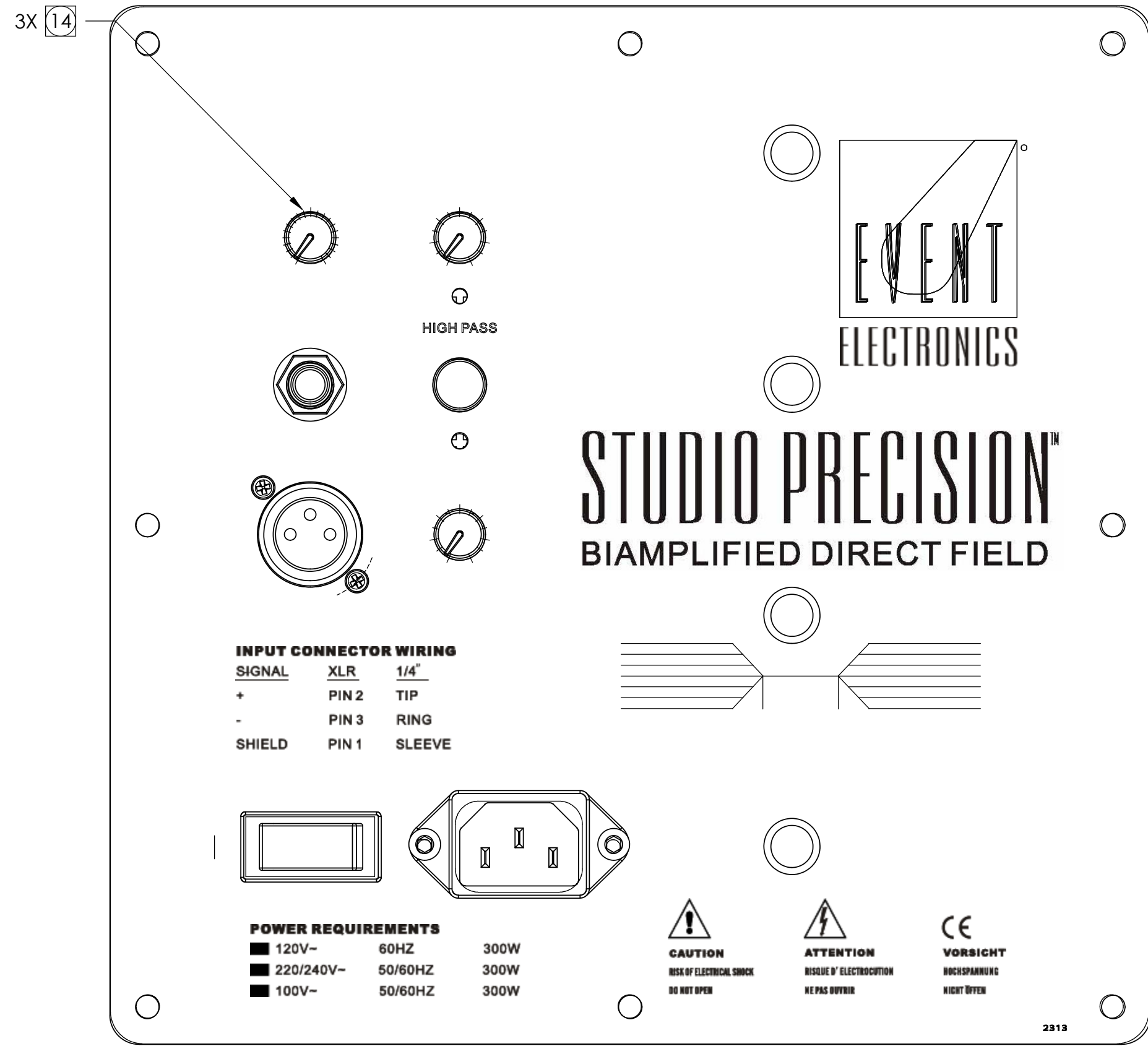
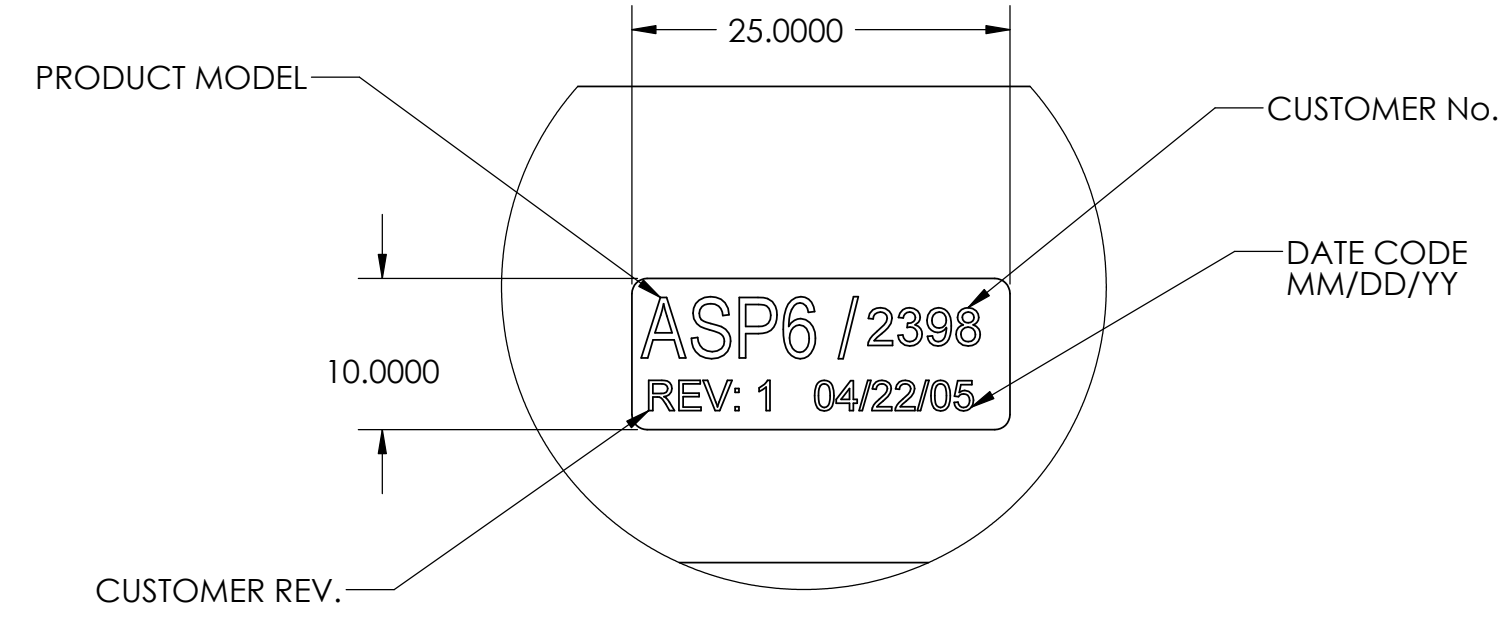
ASSEMBLY BOM LIST

THIS PRINT DISCLOSES SUBJECT MATTER IN WHICH KSC INDUSTRIES INC. HAS PROPRIETARY RIGHTS. THE RECEIPT OR POSSESSION OF THIS PRINT DOES NOT CONFER, TRANSFER OR LICENSE THE USE OF THE DESIGN OR TECHNICAL INFORMATION SHOWN HEREIN. REPRODUCTION OF THIS PRINT OR ANY INFORMATION CONTAINED HEREIN OR MANUFACTURE OF ANY ARTICLE HEREFROM, FOR DISCLOSURE TO OTHERS, IS FORBIDDEN, EXCEPT BY SPECIFIC WRITTEN PERMISSION FROM KSC INDUSTRIES INC.

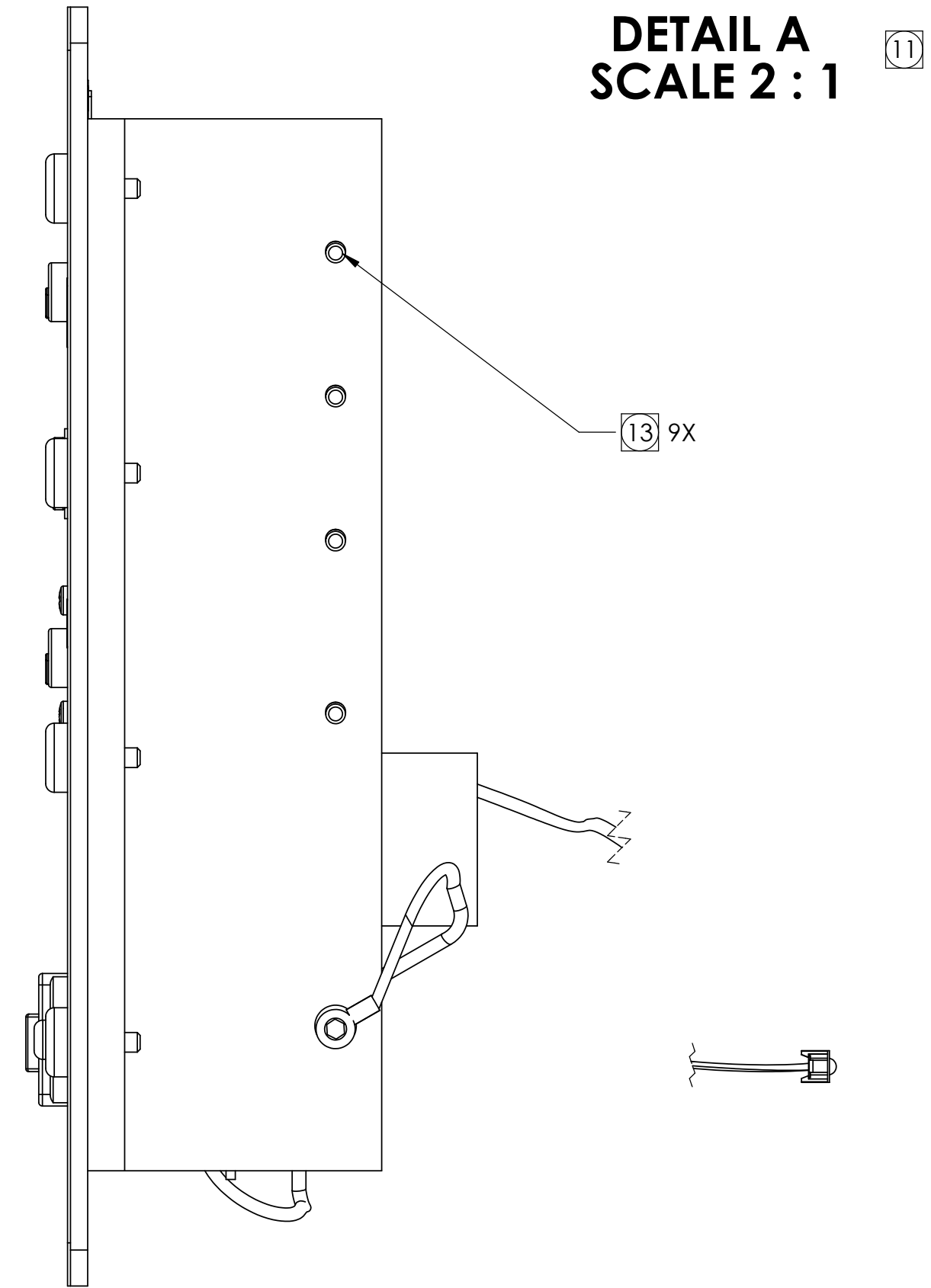
THIRD PLANE PROJECTION	UNLESS OTHERWISE SPECIFIED DIMENSIONS AND TOLERANCES ARE IN MM. METRIC ANG. X.X ± 0.5 X.XX ± 0.20 X.XXX ± 0.050	USED ON: -	TITLE: <b>AMPLIFIER ASP6 EVENT</b>
DRAWN BY: G. ESCOBAR	DATE: 9/14/2005	SIZE: D	DWG. NO.: 650-0047
DESIGNED BY: J. HUANG	DATE: 11/14/2005	SCALE: NTS	REV: A
APP. BY: D. BELANGER	DATE: 11/23/2005	REF. NO.:	CUST. NO.: 2398
			SHEET: 1 OF 2

8 7 6 5 4 3 2 1

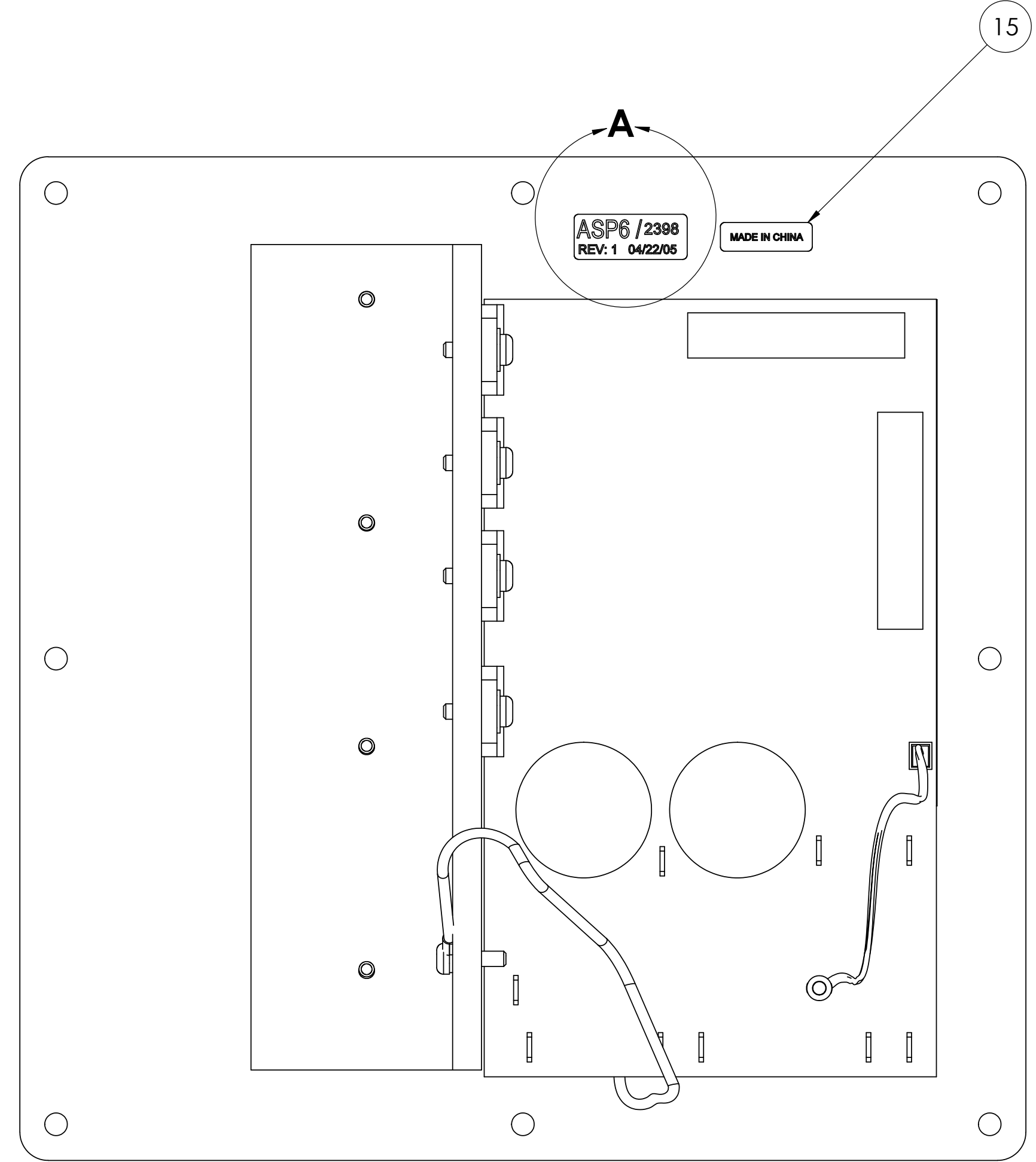
8 7 6 5 4 3 2 1



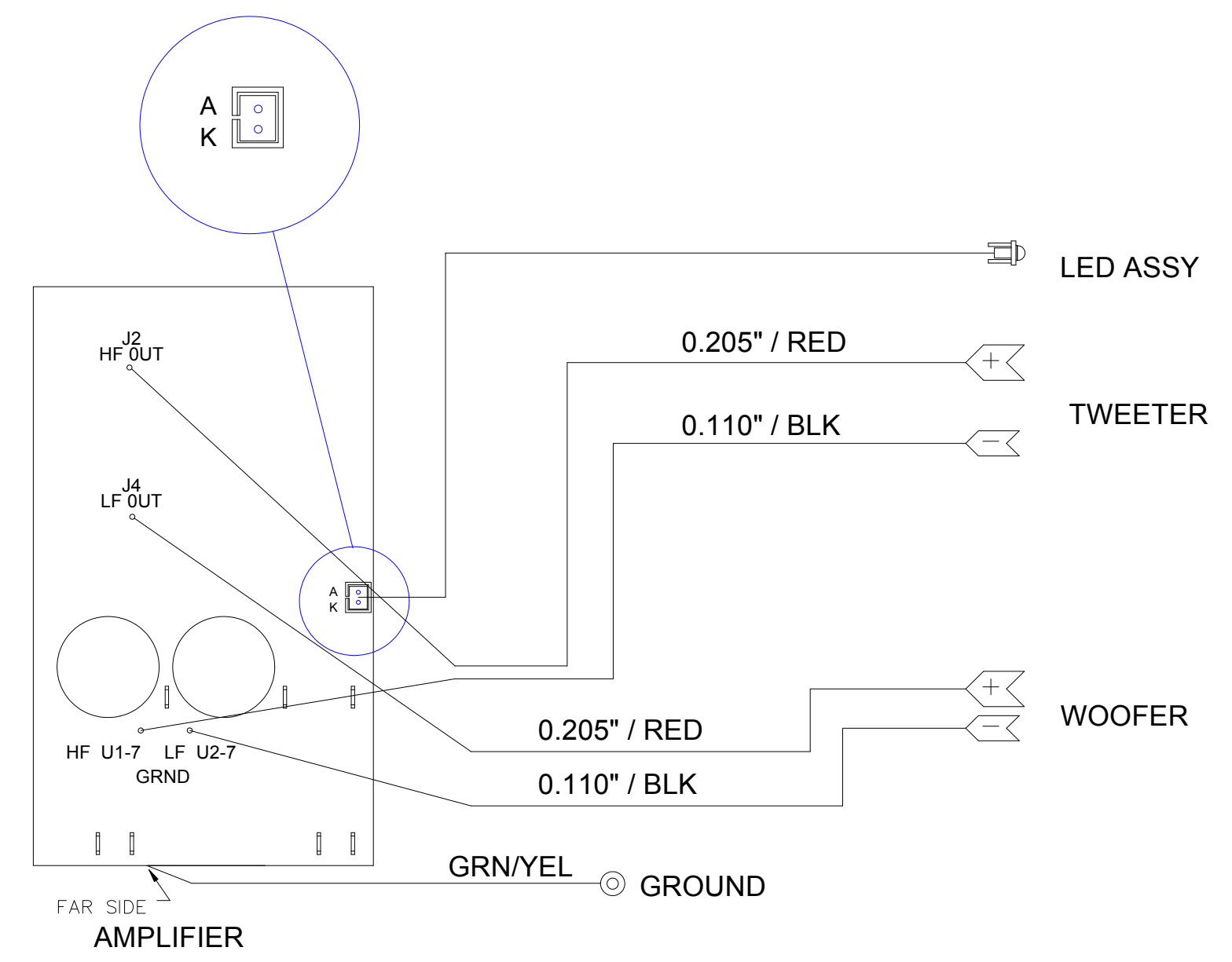
**FRONT VIEW**



**DETAIL A  
SCALE 2 : 1**



**BACK VIEW**



**WIRING DIAGRAM**

8 7 6 5 4 3 2 1

ZONE		ECO No.	REV.	DESCRIPTION	REVISIONS	REVISED	DATE	APPROVED	DATE
		E05-0106	A	RELEASE FOR PRODUCTION		G. E.	11/01/2005		

NOTES: UNLESS OTHERWISE SPECIFIED

1. APPLY THERMAL PASTE BETWEEN ANGLE & IC AMPS CONDUCTORS.
2. ALL HARDWARE TO BE TORQUED A MIN. OF 7 TO 9 PSI.
3. REFERENCE KSC SPECIFICATION QA-SOP-011 FOR ADDITIONAL ELECTRICAL REQUIREMENTS.
4. COMPONENT LEADS MUST SHOW THROUGH SOLDER SIDE OF BOARD.
5. COMPONENT LEADS MUST BE TRIMMED TO 1.6mm MAX.
6. COMPONENT LEADS MUST SHOW GOOD SOLDER FLOW ON BOTH SIDES OF THE PCB. NO SOLDER VOIDS OR PIN HOLES.
7. SOLDERED CONNECTIONS MUST BE SMOOTH AND SHINY WITH EVEN WETTING. (NOTE: COLD SOLDER JOINTS ARE CAUSE FOR REJECTION).
8. BOTH SIDES OF BOARD SHALL BE CLEAN AND FREE OF ANY DEBRIS.
9. PARTS TO BE PROPERLY PROTECTED DURING SHIPPING TO PREVENT DEFORMATION, SCRATCHES OR DEFECTS. PARTS TO BE BULKED PACKED.
10. SHIPPING CARTON TO BE MARKED AS SPECIFIED PER KSC SPECIFICATION No 956-4000.
11. ATTACH PRODUCT ID/DATE LABEL TO BACK OF AMPLIFIER AS SHOWN ON SHEET 2, DETAIL "A". LABEL TO HAVE BLACK TEXT ON WHITE BACKGROUND WITH PSA ONE SIDE ONLY.
12. NEOPRENE FOAM MUST FIT AIR TIGHT, NO AIR LEAKS.
13. APPLY THREADLOCKER, LOCTITE #270 OR EQUIVALENT TO SCREW THREADS.
14. ALL KNOBS MUST ROTATE FREELY WITHOUT BINDING OR OBSTRUCTION.
15. CONNECTOR AND POWER SWITCH TO BE SEALED FOR AIR LEAKS USING CP MOYEN#RS-3167B OR KSC APPROVED EQUIVALENT.

NUT & WASHER  
REF. 750-0025

2X 11

2X 7

15 4

5 15

4X 9

4X 7

4X 8

4X 10

4X 7

13

15

6

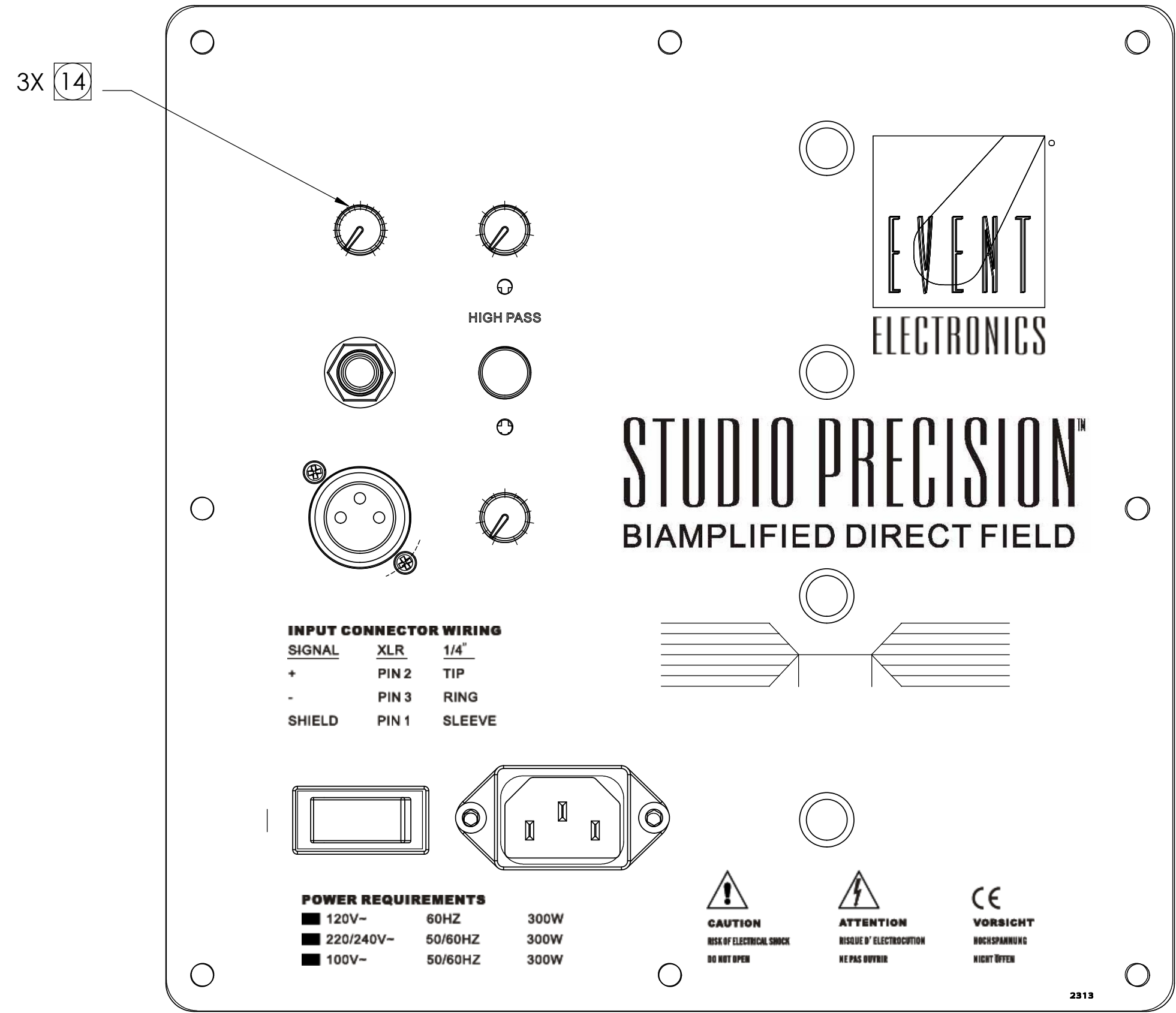
1

ITEM NO.	PART OR ID No.	NOMENCLATURE OR DESCRIPTION	QTY
15	-	LABEL ASP8, PRODUCT ID & DATE	1
14	750-0025	PCB ASSEMBLY_ASP8 AMPLIFIER	1
13	-	LABEL "MADE IN CHINA "	1
12	320-0043	LED WIRE ASSY 26AWG w/3mmGreen LED TR SERIES	1
11	-	SCREW, 4-40 X 3/8" PH PHILLIPS, STEEL BLACK ZINC	2
10	-	FLAT WASHER #6	4
9	-	PLASTIC SCREW CAP, BLACK	4
8	-	CLIP WASHER	4
7	-	SCREW, PH 6-32 X 1/2" TORX DRIVE (T-15) STEEL BLACK ZINC	11
6	-	NEOPRENE FOAM	1
5	210-0451	IEC PLUG CONNECTOR ASSEMBLY (3 PIN)	1
4	-	POWER SWITCH, ROCKER	1
3	-	ANGLE BRACKET, ALUMINUM	1
2	160-0551	LABEL_LEXAN ASP6/8	1
1	210-0445	BACK PANEL_ASP SERIES	1

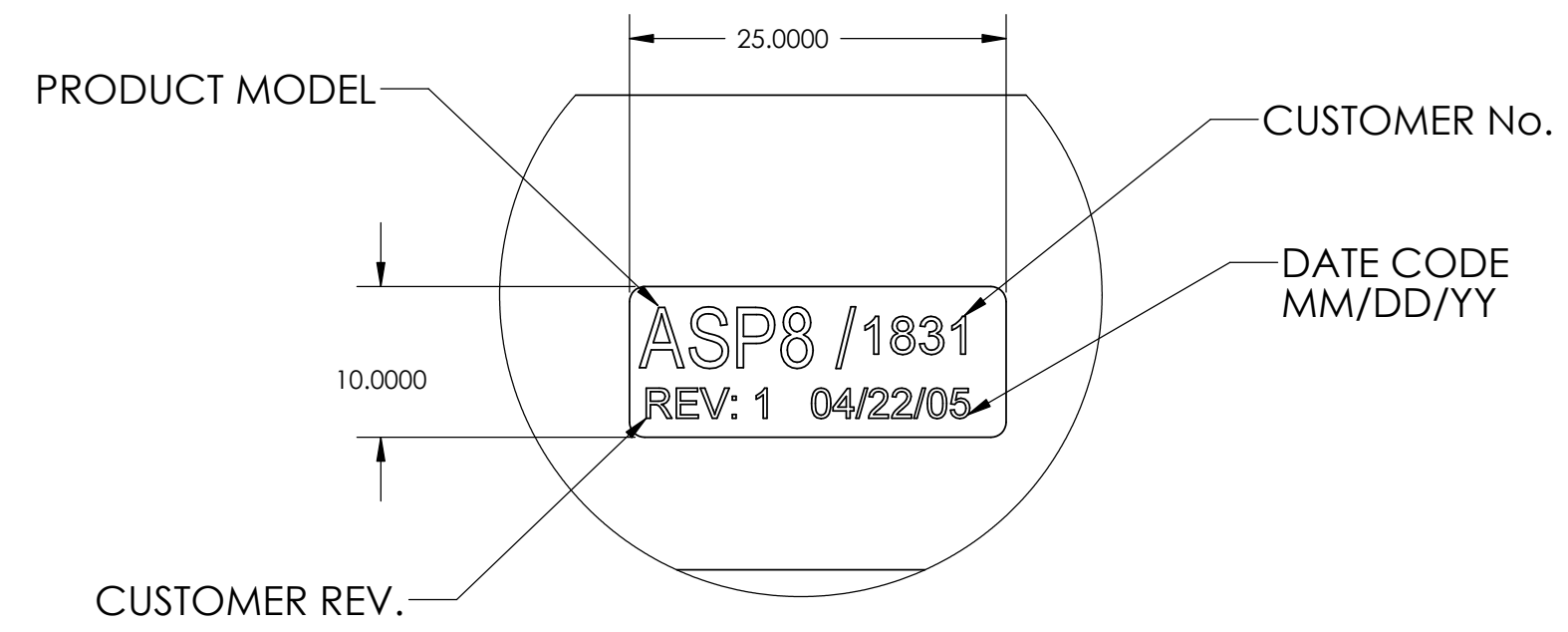
ASSEMBLY BOM LIST

THIRD PLANE PROJECTION		UNLESS OTHERWISE SPECIFIED DIMENSIONS AND TOLERANCES ARE IN MM.		USED ON:		TITLE:	
METRIC	ANG.	XXX± 0.5	± 0° 30'	DATE	REV.	AMPLIFIER ASP8 EVENT	
XXX± 0.20		XXX± 0.20		DRAWN BY: G. ESCOBAR	DATE: 9/14/2005	SIZE: D	DWG. NO.:
XXXX± 0.050				CHECKED BY: J. HUANG	DATE: 11/14/2005	SCALE: NTS	REF. NO.:
				DATE: 11/23/2005			CUST. NO.:
							1831
							SHEET:
							1 OF 2

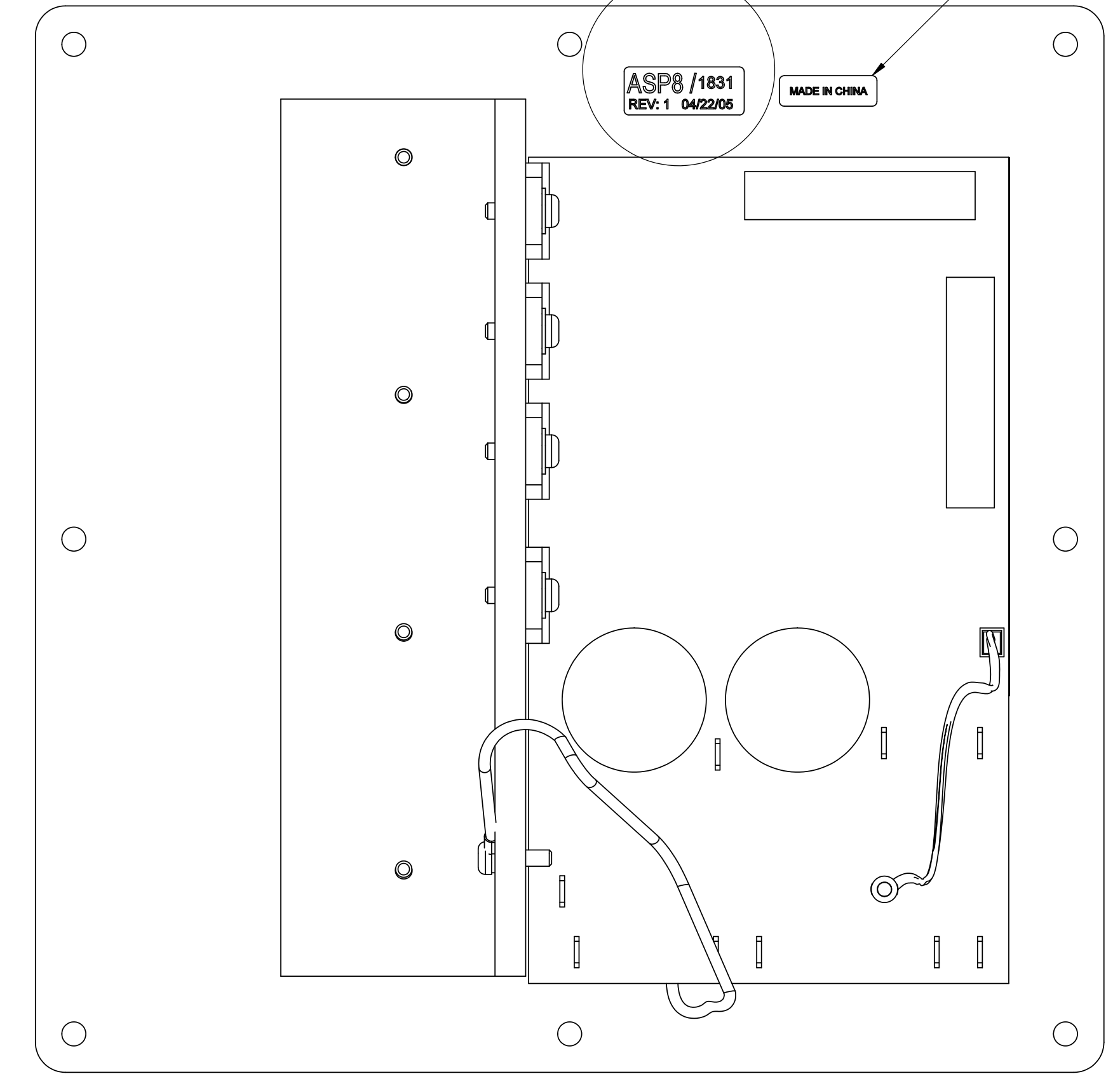
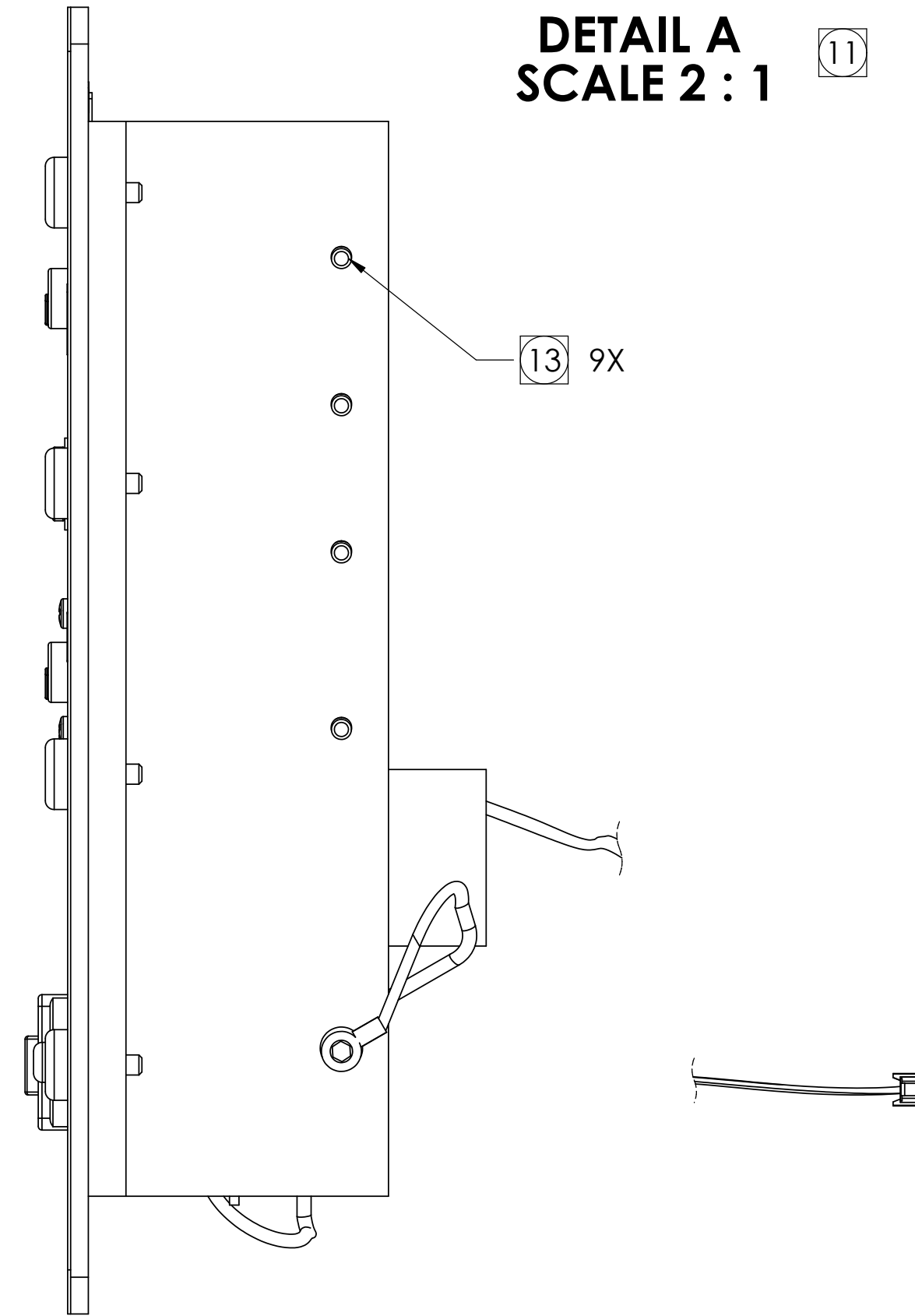
KSC solutions in audio technology



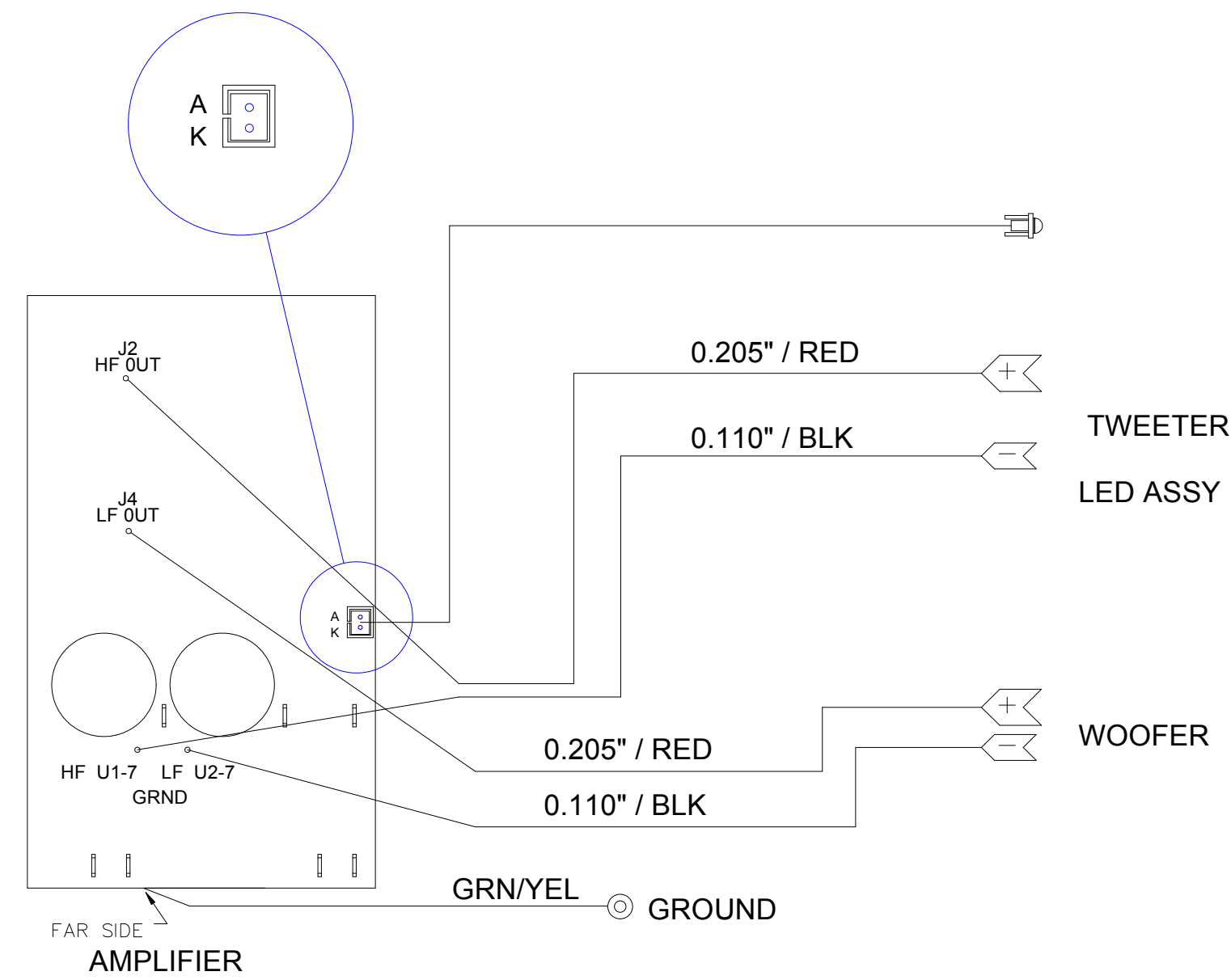
**FRONT VIEW**



**DETAIL A**  
**SCALE 2 : 1**

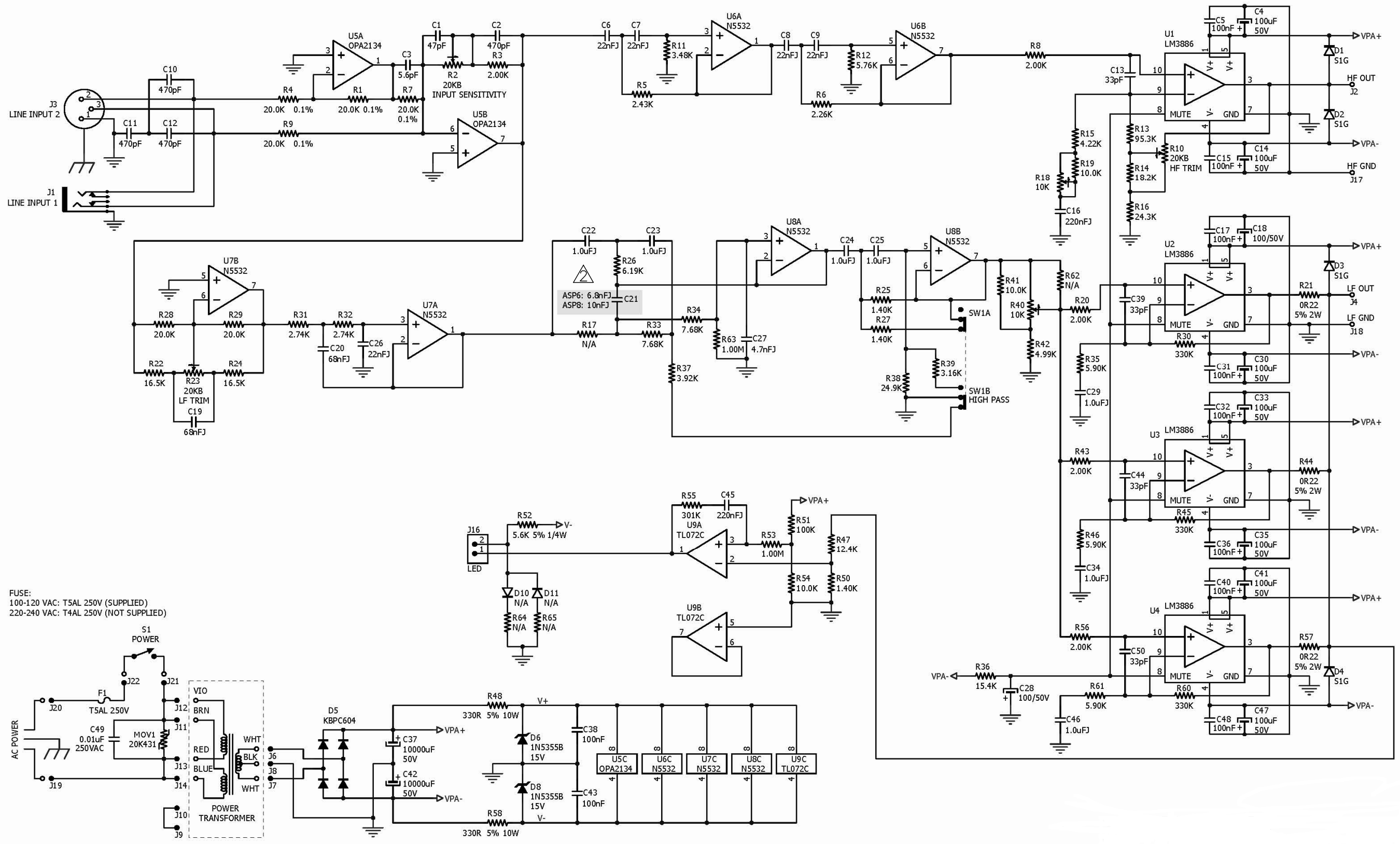


**BACK VIEW**



**WIRING DIAGRAM**

ECO No.	REV	DESCRIPTION	REVISED	DATE	APPROVED	DATE
E05-0106	A	INITIAL RELEASE				



FUSE:  
 100-120 VAC: T5AL 250V (SUPPLIED)  
 220-240 VAC: T4AL 250V (NOT SUPPLIED)

1. NOTE: ALL RESISTORS 1% UNLESS NOTED.  
 N/A=PART OMITTED  
 ▲ 750-0024 ASP6: 6.8nFJ FOR C21  
 750-0025 ASP8: 10nFJ FOR C21

THIS PRINT DISCLOSES SUBJECT MATTER IN WHICH KSC INDUSTRIES INC. HAS PROPRIETARY RIGHTS. THE RECEIPT OR POSSESSION OF THIS PRINT DOES NOT CONFER, TRANSFER OR LICENSE THE USE OF THE DESIGN OR TECHNICAL INFORMATION SHOWN HEREIN, REPRODUCTION OF THIS PRINT OR ANY INFORMATION CONTAINED HEREIN OR MANUFACTURE OF ANY ARTICLE HEREFROM, FOR DISCLOSURE TO OTHERS, IS FORBIDDEN, EXCEPT BY SPECIFIC WRITTEN PERMISSION FROM KSC INDUSTRIES INC.

THIRD PLANE PROJECTION	UNLESS OTHERWISE SPECIFIED DIMENSIONS AND TOLERANCES ARE IN MM: METRIC ANG. ± 0° 30' X.X± 0.5 X.XX± 0.20 X.XXX± 0.050	USED ON: 650-0046, 650-0047	TITLE: <b>ASP6/8 AMP-SCHEMATIC</b> EVENT#2433 ENG REV 04
		DRAWN BY: J HUANG	DATE: 12/08/05
		CHECKED BY: H. HUMBERTO	DATE: 12/08/05
		APP. BY: M. ENGLAND	DATE: 12/08/05
		SCALE: NTS	DWG. NO: 750-002X
		REF. NO: 102605	CUST. NO: SP2433 04
			REV A
			SHEET 1 OF 1

**EVENT ASP8 AMP 26-OCT-05**

ITEM #	TYPE	DESCRIPTION	MANUFACTURER	MFG PART No.	QTY	Component Reference Designators
1	DIODE	Bridge rectifier, 6A 400PIV	Star Sea	KBPC604	1	D5
2	DIODE	Zener diode, 15V	BURR-BROWN	1N5355B	2	D6 D8
3	DIODE	Diode, 1A 400PIV, SMD SMA	Star Sea	S1G	4	D1 D2 D3 D4
4	IC	IC, power amp, National Semi	TI	LM3886TF	4	U1 U2 U3 U4
5	IC	IC, dual op amp, SMD SOIC8	TI	TL072CD	1	U9
6	IC	IC, dual op amp, SMD SOIC8	BURR-BROWN	OPA2134	1	U5
7	IC	IC, dual op amp, SMD SOIC8	TI	N5532	3	U6 U7 U8
8	MOV	275VAC MOV	Fenghua	FNR-20K431	1	MOV1
9	CAP	5.6 pF 5% 50 V Capacitor, ceramic, COG, SMD 0805	Fenghua		1	C3
10	CAP	33 pF 5% 50 V Capacitor, ceramic, COG, SMD 0805	Fenghua		4	C13 C39 C44 C50
11	CAP	47 pF 5% 50 V Capacitor, ceramic, COG, SMD 0805	Fenghua		1	C1
12	CAP	470 pF 5% 50 V Capacitor, ceramic, COG, SMD 0805	Fenghua		4	C2 C10 C11 C12
13	CAP	0.1 uF 50 V Capacitor, ceramic, X7R, SMD 0805	Fenghua		10	C5 C15 C17 C31 C32 C36 C38 C40 C43 C48
14	CAP	0.0047 uF 5% 63V capacitor, film, radial	KAILI		1	C27
15	CAP	0.01 uF 5% 63V capacitor, film, radial	KAILI		1	C21
16	CAP	0.022 uF 5% 63V capacitor, film, radial	KAILI		5	C6 C7 C8 C9 C26
17	CAP	0.22 uF 5% 63V capacitor, film, radial	KAILI		2	C16 C26
18	CAP	0.68 uF 5% 63V capacitor, film, radial	KAILI		2	C19 C20
19	CAP	1 uF 5% 63V capacitor, film, radial	KAILI		7	C22 C23 C24 C25 C29 C34 C46
20	CAP	0.01 uF 250VAC UL capacitor, film, radial	KAILI		1	C49
21	CAP	100 uF 50 V Capacitor, radial electrolytic, 85C, 8mmDia x 11mmH	XC		9	C4 C14 C18 C28 C30 C33 C35 C41 C47
22	CAP	10000 uF 50 V Capacitor, radial electrolytic, 105C, 30mmDia x 40mmH	XC		2	C37 C42
23	RES	0R22 5% 2W axial resistor	CAIZHI		3	R21 R44 R57
24	RES	1.40K 1% Resistor, 1/10W, SMD 0805	UNI-ohm		3	R25 R27 R50
25	RES	2.00K 1% Resistor, 1/10W, SMD 0805	UNI-ohm		5	R3 R8 R20 R43 R56
26	RES	2.26K 1% Resistor, 1/10W, SMD 0805	UNI-ohm		1	R6
27	RES	2.43K 1% Resistor, 1/10W, SMD 0805	UNI-ohm		1	R5
28	RES	2.74K 1% Resistor, 1/10W, SMD 0805	UNI-ohm		2	R31 R32
29	RES	3.16K 1% Resistor, 1/10W, SMD 0805	UNI-ohm		1	R39
30	RES	3.48K 1% Resistor, 1/10W, SMD 0805	UNI-ohm		1	R11
31	RES	3.92K 1% Resistor, 1/10W, SMD 0805	UNI-ohm		1	R37
32	RES	4.22K 1% Resistor, 1/10W, SMD 0805	UNI-ohm		1	R15
33	RES	4.99K 1% Resistor, 1/10W, SMD 0805	UNI-ohm		1	R42
34	RES	5.6K 5% Resistor, 1/4W, SMD 1210	UNI-ohm		1	R52
35	RES	5.76K 1% Resistor, 1/10W, SMD 0805	UNI-ohm		1	R12
36	RES	5.90K 1% Resistor, 1/10W, SMD 0805	UNI-ohm		3	R35 R46 R61
37	RES	6.19K 1% Resistor, 1/10W, SMD 0805	UNI-ohm		1	R26
38	RES	7.68K 1% Resistor, 1/10W, SMD 0805	UNI-ohm		2	R33 R34
39	RES	10.0K 1% Resistor, 1/10W, SMD 0805	UNI-ohm		3	R16 R41 R54
40	RES	12.4K 1% Resistor, 1/10W, SMD 0805	UNI-ohm		1	R47
41	RES	15.4K 1% Resistor, 1/10W, SMD 0805	UNI-ohm		1	R36
42	RES	16.5K 1% Resistor, 1/10W, SMD 0805	UNI-ohm		2	R22 R24
43	RES	18.2K 1% Resistor, 1/10W, SMD 0805	UNI-ohm		1	R14
44	RES	20.0K 1% Resistor, 1/10W, SMD 0805	UNI-ohm		2	R28 R29
45	RES	20.0K 0.1% Resistor, 1/10W, SMD 0805	UNI-ohm		4	R1 R4 R7 R9
46	RES	24.3K 1% Resistor, 1/10W, SMD 0805	UNI-ohm		1	R16
47	RES	24.9K 1% Resistor, 1/10W, SMD 0805	UNI-ohm		1	R38
48	RES	95.3K 1% Resistor, 1/10W, SMD 0805	UNI-ohm		1	R13
49	RES	100K 1% Resistor, 1/10W, SMD 0805	UNI-ohm		1	R51
50	RES	301K 1% Resistor, 1/10W, SMD 0805	UNI-ohm		1	R55
51	RES	330K 1% Resistor, 1/10W, SMD 0805	UNI-ohm		3	R30 R45 R60
52	RES	1.00M 1% Resistor, 1/10W, SMD 0805	UNI-ohm		2	R53 R63
53	RES	330R 5% 10W axial resistor	Shuangyu		2	R48 R58
54	POT	10K trimpot	Honghun		2	R18 R40
55	POT	20K B 9mm pot, vertical pcb mount	AIHUA		3	R2 R10 R23
56	SWITCH	Switch, push-push, DPDT, vertical pcb mount	TAIWEI		1	SW1
57	SWITCH	Power switch, rocker	GONGCHENG		1	S1
58	CONN	1/4" phone jack, stereo, 2P switched, vertical pcb mount	TAIWEI		1	J1
59	CONN	XLR jack, female, vertical pcb mount	TAIWEI		1	J3
60	CONN	2-pin Header, Hirose DF3A-2P-2DSA or equivalent	WANKE		1	J16
61	CONN	Connector, Faston pcb male 0.25" x 0.032" straight	KANGZHE		9	J6 J7 J8 J9 J10 J11 J12 J13 J14
62	CONN	Connector, Faston pcb female 0.25" x 0.032" straight	KANGZHE		4	J19 J20 J21 J22
63	CONN	IEC socket, pcb	WANKE		1	
64	FUSE	Fuse clips	QICHUANG		2	F1
65	FUSE	T5 AL 250V fuse	QICHUANG		1	F1
66	PCB	6.8" X 3.9" X .062 FR4	WANZHENG		1	
67	LABOR PCB		WANZHENG		1	
68	Cable	Red 16 awg, 0.110" female faston	WANKE		2	
69	Cable	Black 16 awg, 0.205" female faston	WANKE		2	
70	Cable	24/2 awg, green 0.125" dia LED on one end, Hirose DF3-2S-2C plug & pins on the other end	WANKE		1	
71	Hardware	Screws for XLR jack mounting	HAIMEN		2	
72	Hardware	Nut for 1/4" phone jack mounting	TAIWEI		1	
73	Hardware	Washer for 1/4" phone jack mounting	TAIWEI		1	
74	Hardware	Screws for mounting LM3886 IC	XINJIYUAN		4	
75	Enclosure	Aluminum L-shaped extrusion with tapped holes	QINWEI		1	
76	Enclosure	Amp plate	LEIKE WUJIN		1	
77	Misc	Foam gasket, large	FANGLIN		1	
78	Misc	Foam gasket, small	FANGLIN		1	
79	Knob	Knob for pots	XINYIN		3	
80	Knob	Knob for push switch	XINYIN		1	